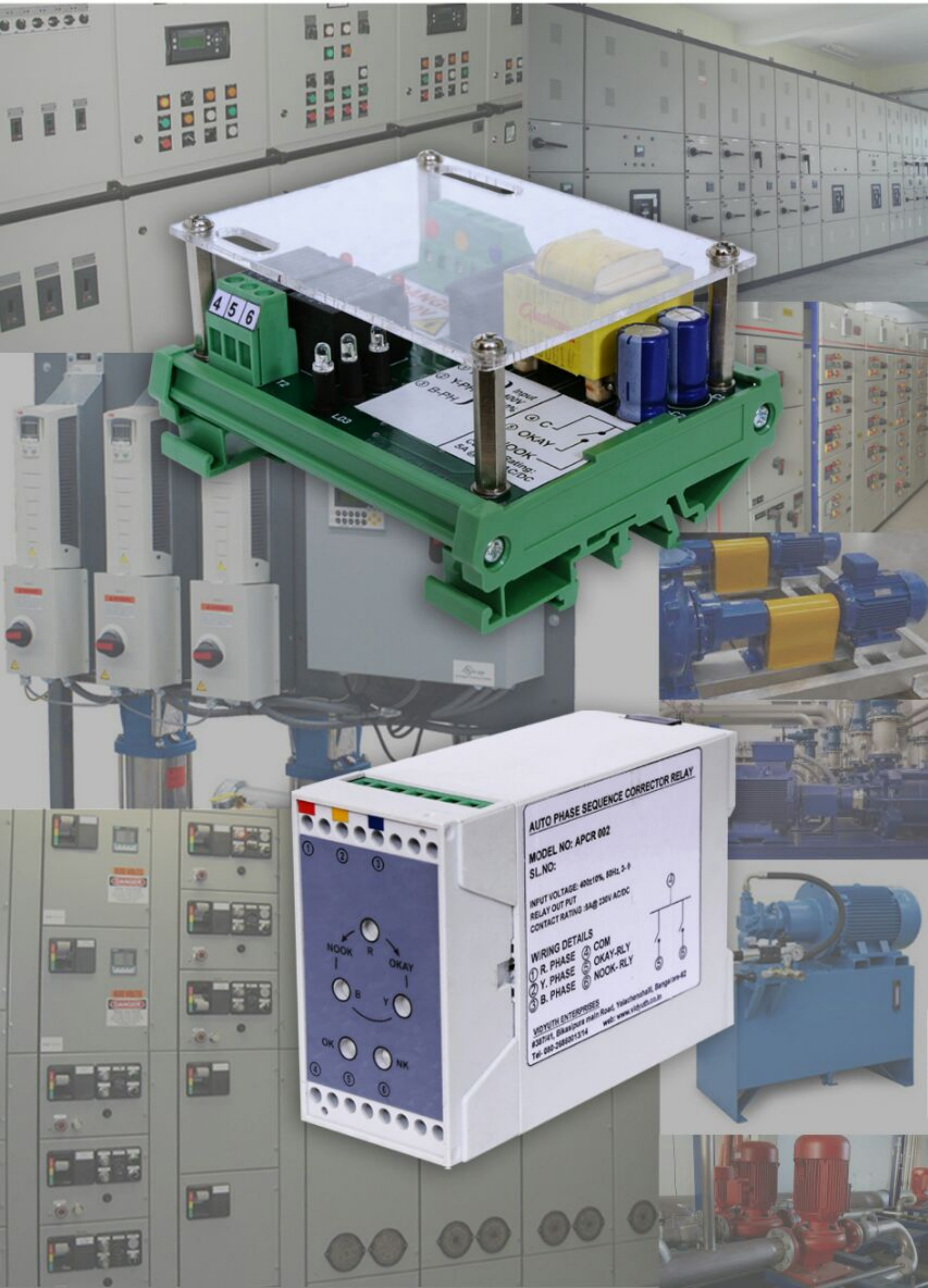


PHASE SEQUENCE CORRECTOR RELAY



PHASE SEQUENCE CORRECTOR RELAY

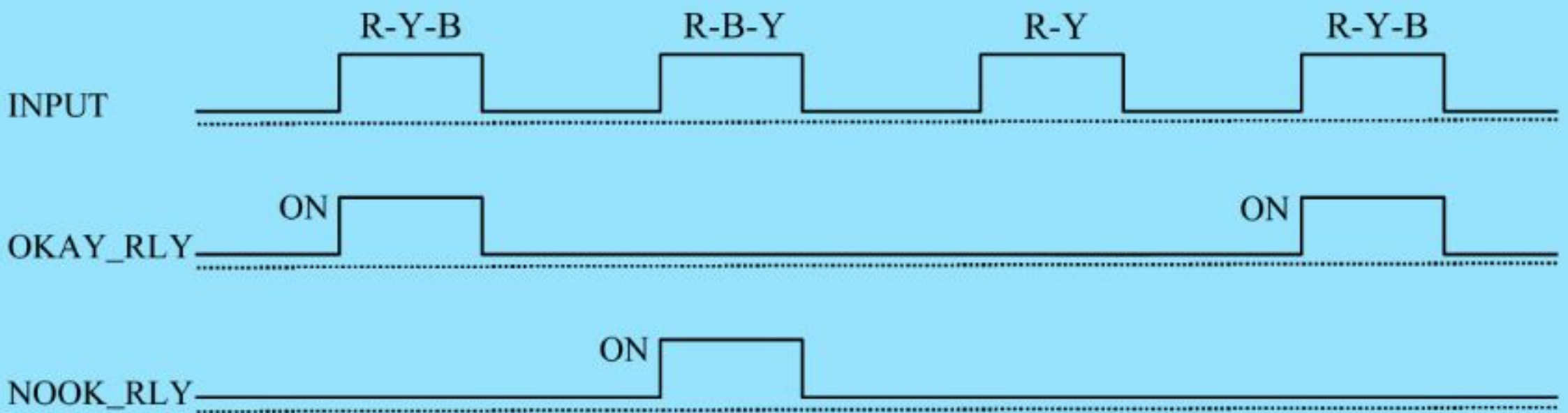
APCR 001 }
APCR 002 }

FEATURES

- # Microcontroller based design
- # Indicates sequence via Red, Yellow, Blue LEDs
- # Operates over wide range of supply voltages
- # Also act as single phasing preventer
- # Fixed unbalance input voltage protection

OPERATION

These relays work on 400V (Nom) 3-Ø System and provide output to control output phase sequence.



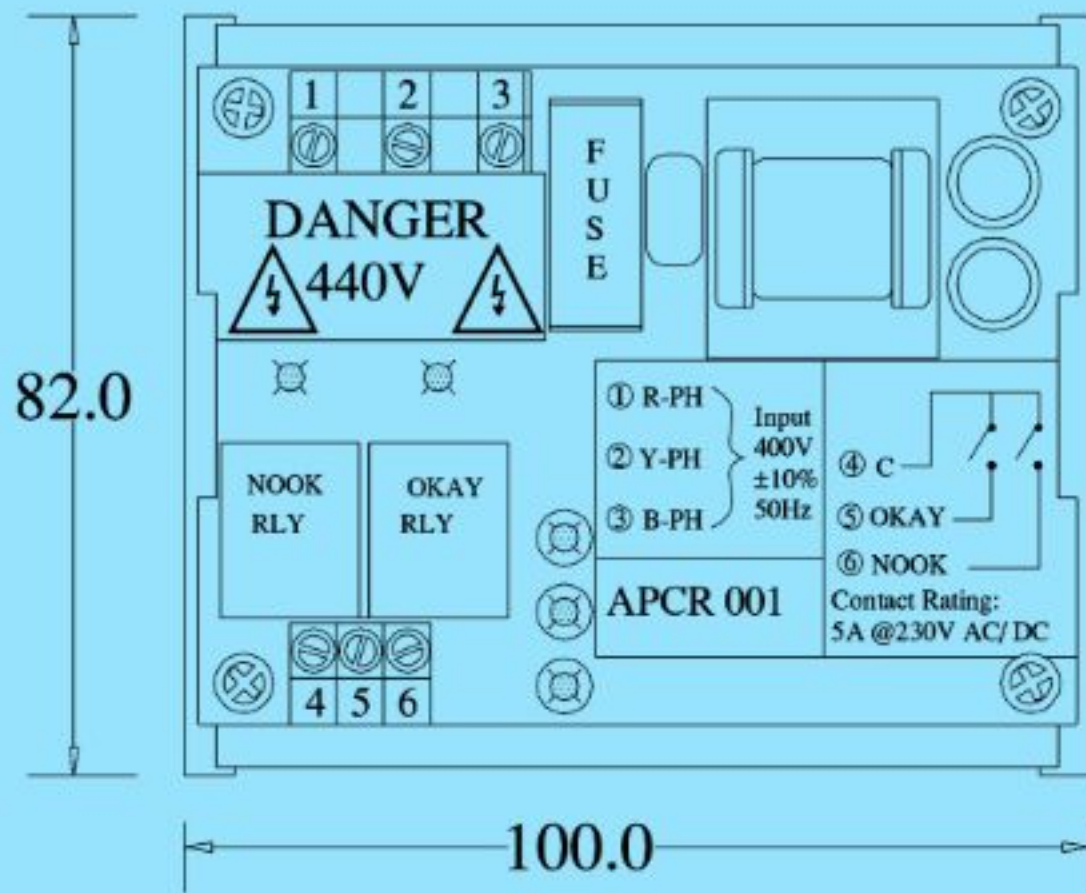
When input sequence is R-Y-B, OKAY-RLY will be energised and NOOK-RLY is deenergised. Similarly when input sequence is R-B-Y, NOOK-RLY will be energized and OKAY-RLY is deenergised. These output can be wired with proper switch gear to maintain correct phase sequence at the output (Refer to our suggested circuits).

TECHNICAL SPECIFICATION

	APCR 001	APCR 002			
INPUT 3- Ø VOLTAGE	400V± 10% 3-Ø	400V± 10% 3-Ø	Other input voltage ranges on request.		
AUX.SUPPLY	Internal	Internal			
FREQUENCY RANGE	45...65 hz	45...65hz			
UNBALANCE VOLTAGE	± 20% Fixed	± 20% Fixed			
MOUNTING RAIL	Universal -35mm Sym -32mm asym -15mm sym	35mm Sym			
PROTECTION	Finger Touch Proof	IP - 20			
RELAY CONTACT RATING	5A@230VAC 5A@24VDC	5A@230VAC 5A@24VDC			
POWER CONSUMPTION	3VA (Max)	3VA (Max)			
WEIGHT	215 gms	250 gms			

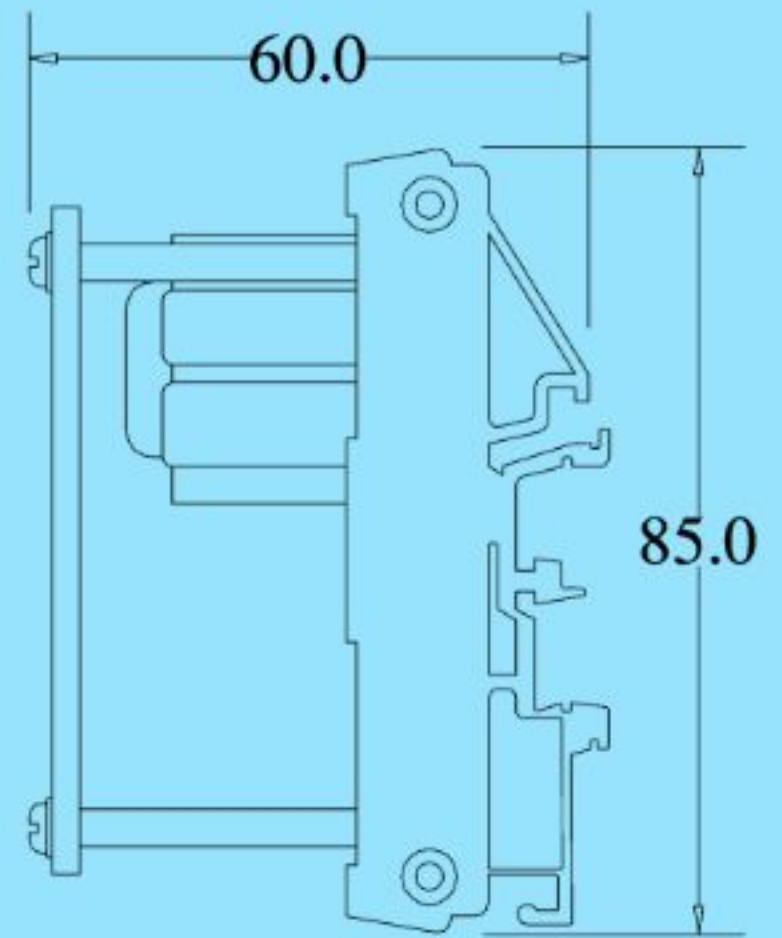
Since continuous development is our policy, the above specification and details may change without prior notice.

APCR 001



82.0

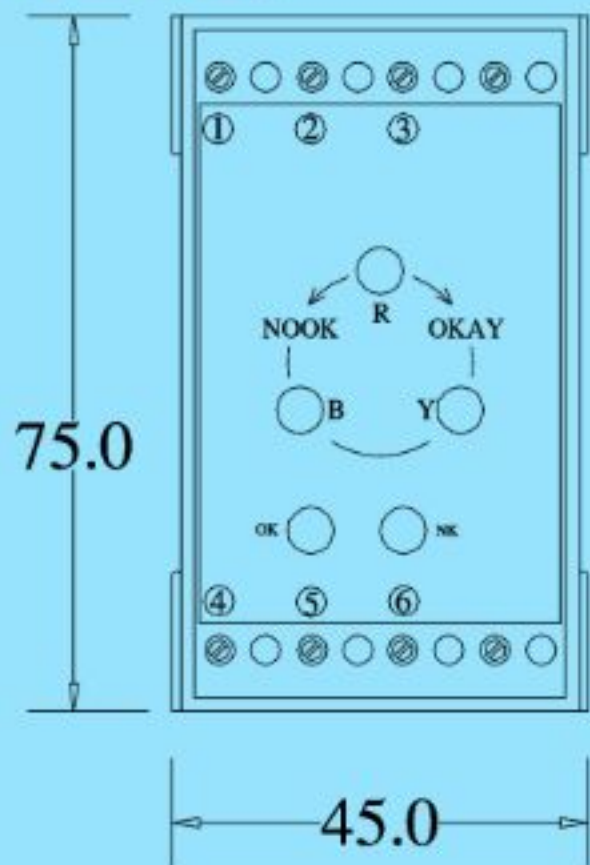
100.0



60.0

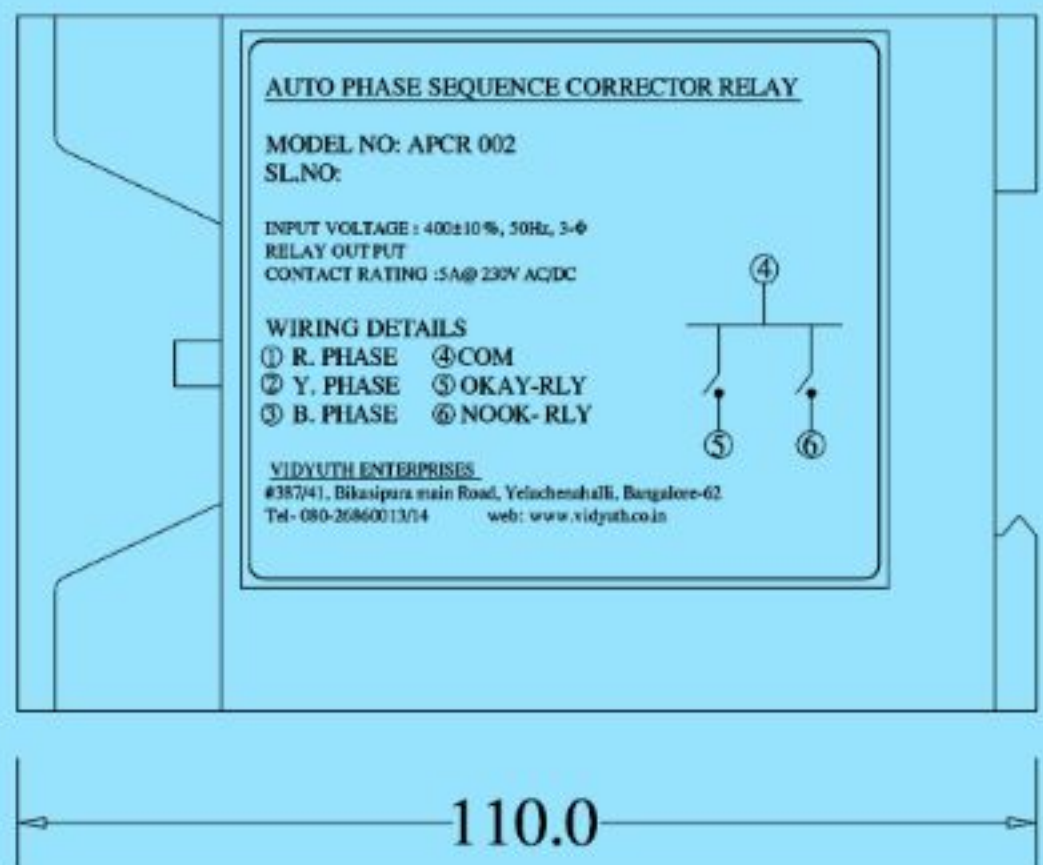
85.0

APCR 002



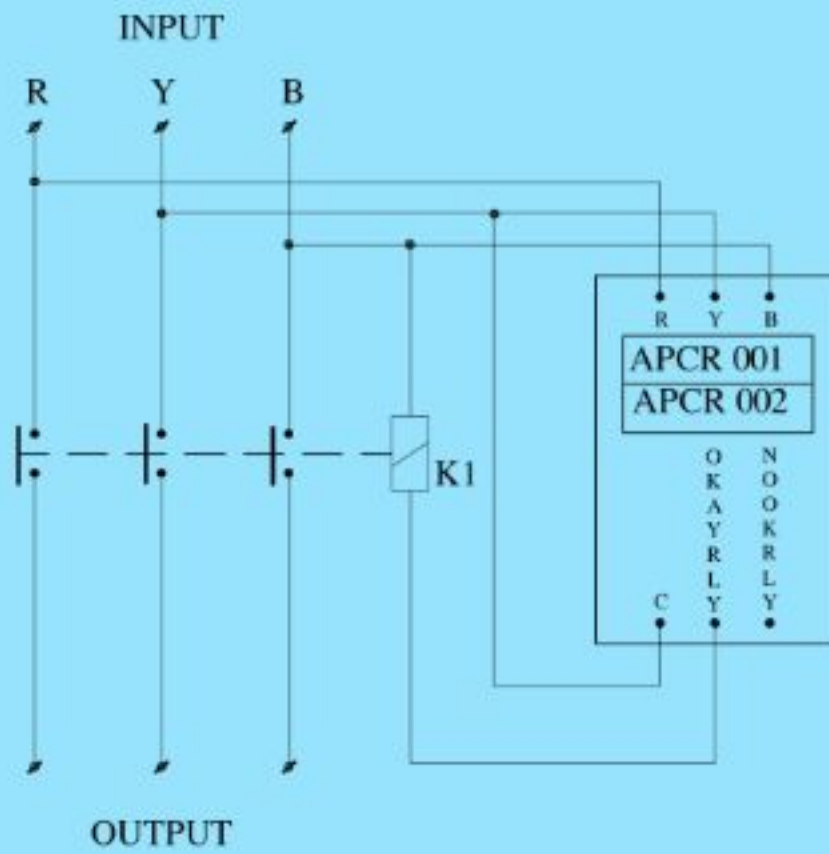
75.0

45.0



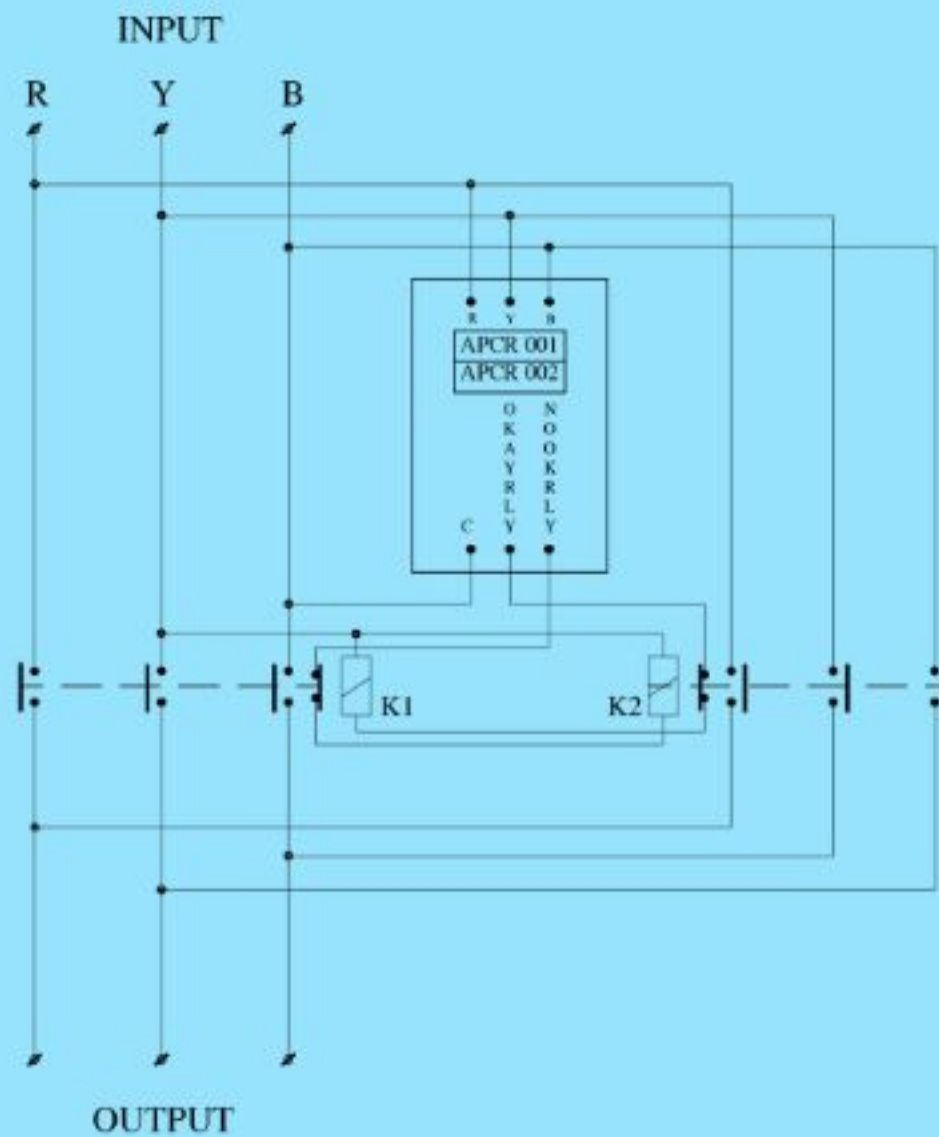
110.0

SUGGESTED WIRING DIAGRAM NO 1:

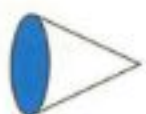


Single phasing preventer cum phase sequence reverse protection
NOTE : (Fuse & other controlgear are not shown for clarity)

SUGGESTED WIRING DIAGRAM NO 2:



Auto phase sequence corrector cum single phasing preventer
NOTE : (Fuse & other controlgear are not shown for clarity)



VIDYUTH ENTERPRISES

#387/41, Bikasipura Main Road, Yelachenahalli,
(Near Delhi Public School) Bangalore - 560062.
Ph : 080-26860013, 26860014, 26861056 - Mob: 9886715952
Email : info@vidyuth.co.in - manufacture@vidyuth.co.in
Web : www.vidyuth.co.in