

TEMPERATURE AND LEVEL INDICATOR / CONTROLLER WITH OIL LEVEL GAUGE

..... For Hydraulic oils

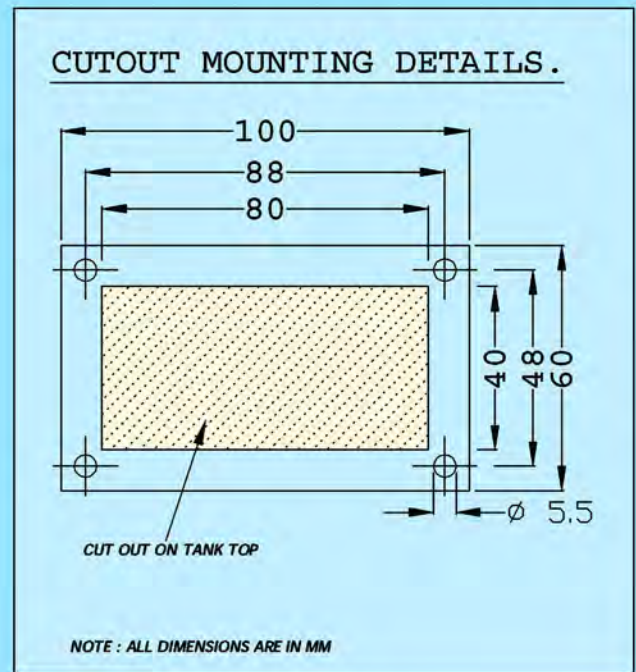
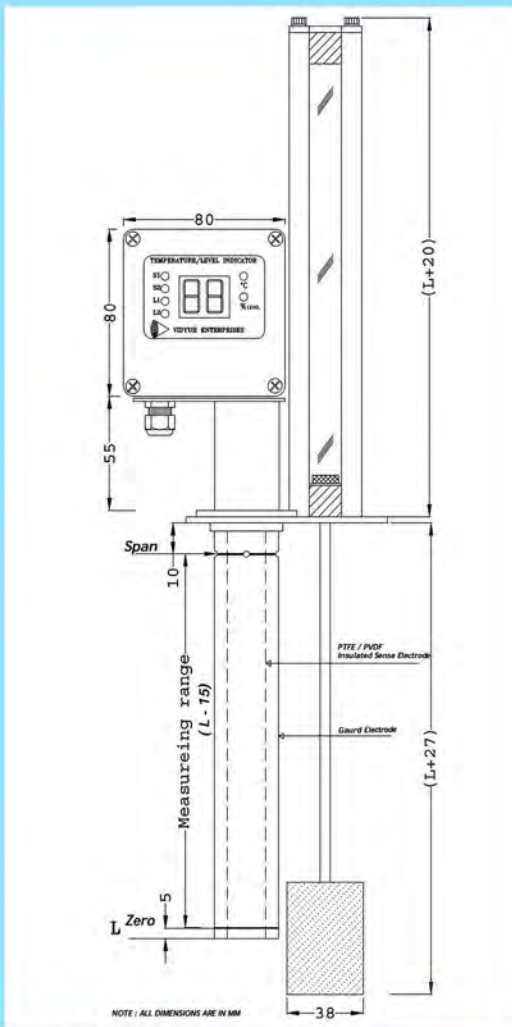


Tank top mounting type Digital temperature and level indicator / controller with oil level gauge is used to indicate and control both temperature and level of liquid mainly for hydraulic oils * in machine tool industry.

Digital temperature and level indicator / controller with oil level gauge incorporates PTFE / PVDF insulated sense electrode, stainless steel guard electrode, passivated MS mounting flange and ABS plastic enclosure which houses the electronics and 6 core cable for external electrical connections. Oil level gauge consists of polyurethane foam float, aluminium profile structure and clear acrylic tube.

Solid state temperature transducer is housed at bottom of sense electrode and its out put is proportional to the surrounding liquid temperature and the same is converted and indicated in °C. Capacitance variation between sense electrode and guard electrode which is proportional to the liquid level between the two electrodes is converted in to electrical signal using unique mixed signal technology and indicated in % between two marked locations. Two programmable set points are provided for temperature and level for external control. Indicator can be programmed to display either temperature / level alternatively or only temperature / level.

* Working has been verified for hydraulic oils grade ISO 32, ISO 46, ISO 68.




Technical Specifications:-

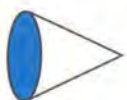
- | | |
|------------------------------------|---|
| 1. Input Voltage Range | : + 18V..... + 30V DC. |
| 2. Max. Output current | : 100 mA. |
| 3. Output type | : PNP. |
| 4. No. of Outputs | : Four programmable for set point,
: differential & switch action (NO or NC).
: (Two for level, two for temperature). |
| 5. Output short circuit Protection | : Provided for 10 sec. |
| 6. Reverse Polarity Protection | : Provided. |
| 7. Cable details | : 6 core of 0.25 sqmm, 3mtrs standard. |
| 8. Ambient temp range | : 0°C to + 70°C. |
| 9. Max pressure | : Atmospheric. |
| 10. Max. liquid temp | : 100°C. |
| 11. Max. error | : ±0.25% ±1 least count for temp.
: ±1% ±1 least count for level. |
| 12. Indicating range | : + 3°C to 99°C in 1°C step for temp.
: 3% to 99% in 1% step for level. |

since continous development is our policy, the above specification and details may change without prior notice.

ORDERING INFORMATION: -

TL - OLG / L  Probe length L in mms.
Temperature & Level Indicator/
Controller with Oil Level Gauge

Note: Standard Stocked probe lengths 150, 175, 200, 225, 250, 275, 300mm (other sizes against request).



VIDYUTH ENTERPRISES

#387/41, Bikasipura Main Road, Yelachenahalli,
 (Near Delhi Public School) Bangalore - 560062.
 Ph : 080-26860013, 26860014, 26861056 - Mob: 9886715952
 Email : info@vidyuth.co.in - manufacture@vidyuth.co.in
 Web : www.vidyuth.co.in